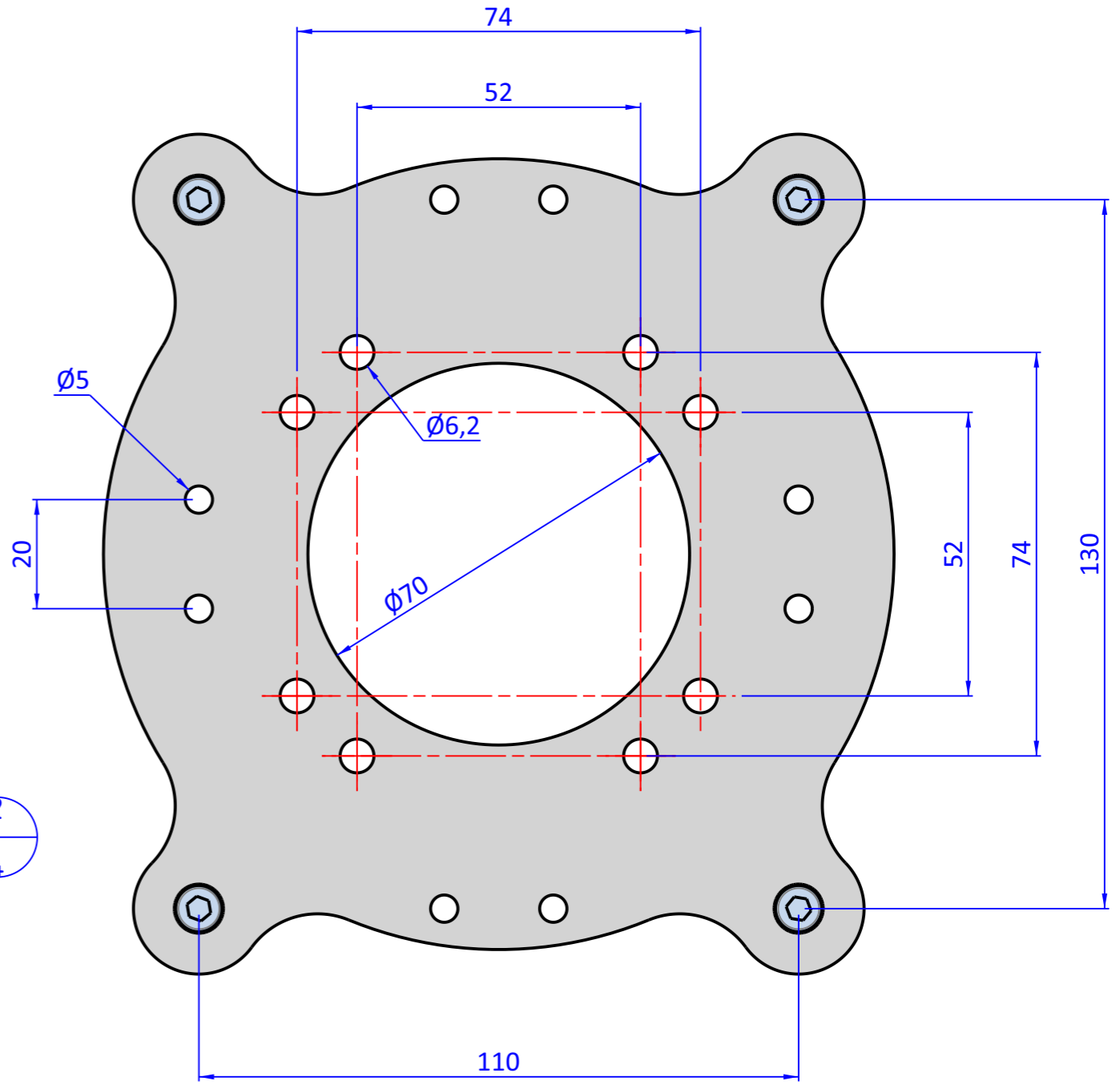
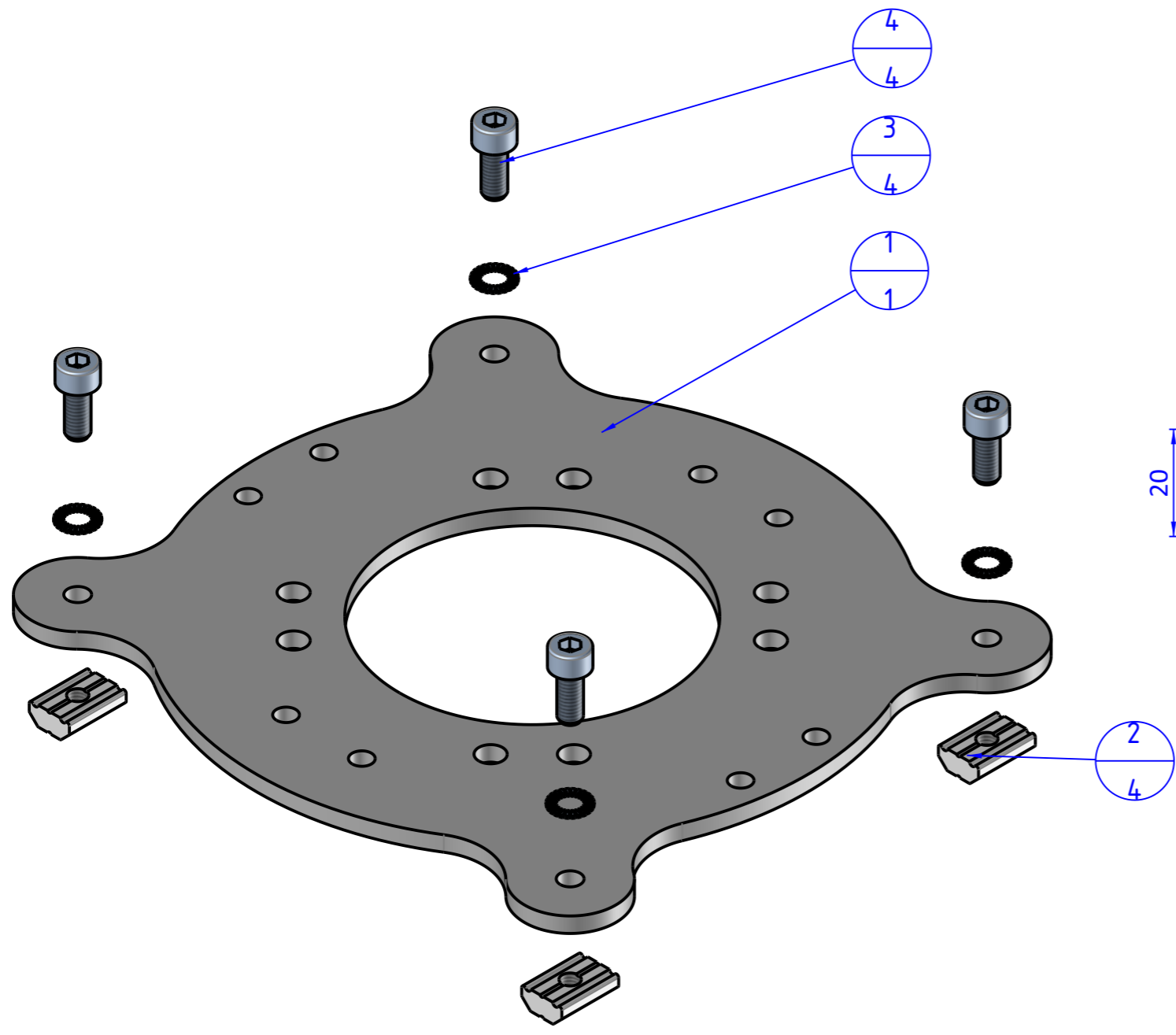



Item	Name	Q.ty
1	01.01.007	1
2	CA.GWP.5U	4
3	R.5.SCH	4
4	V.TCE5x12	4



THE PROPERTY OF THE DRAWING IS ESTABLISHED BY LAW. IT IS FORBIDDEN TO PRODUCE OR SHOW IT TO THIRD PART WITHOUT A WRITTEN AGREEMENT.

Format A3  
UNI 936-76

 <b>FPS</b> FPSERVICES AUTOMATION		DESIGNED FROM		REVIEW
		FPS Automation		A
GENERAL TOLERANCE		DATE	WEIGHT	
UNI - ISO 2768		26/01/2024	0,491kg	
CLASSE f		CODE		
		CA.01.01.007		CA.01.01.007